

IMU (Inertial Measurement Unit) CAN INTERFACE

■ GENERAL DESCRIPTION

The M-G552PJ7 is a small form factor inertial measurement unit (IMU) with 6 degrees of freedom: tri-axial angular rates and linear accelerations, and provides high-stability and high-precision measurement capabilities with the use of high-precision compensation technology.

A variety of calibration parameters are stored in memory of the IMU, and are automatically reflected in the measurement data being sent to the application after the power of the IMU is turned on.

With Controller Area Network (CAN) interface support for host communication, the M-G552PJ7 reduces technical barriers for users to introduce inertial measurement and minimizes design resources to implement inertial movement analysis and control applications.

This unit is packaged in a water-proof and dust-proof metallic case. It is suitable for use in industrial and heavy-duty applications.

The features of the IMU such as high stability, high precision, and small size make it easy to create and differentiate applications in various fields of industrial systems.

■ FEATURES

| Item | Specification |
|---|--|
| Sensor | |
| Integrated sensor | SEIKO EPSON inertial measurement sensor Low-noise, High-stability Gyro bias instability: 0.8 °/h Angular random walk: 0.06 °/√h Initial bias error: 360 °/h (1σ) / 3 mG(1σ) 6 Degree of freedom Triple Gyroscope: ±450 °/s Tri-axis Accelerometer: ±10 G 16bit data resolution Calibrated stability (Bias, Scale Factor, Axial Alignment) |
| Output data rate | 100 sps (Default) Up to 1000 sps |
| LPF | Built-in moving average filter and FIR Kaiser filter |
| Interface | |
| Protocol | J1939 compatible |
| Physical Layer | ISO11898-2 (High speed CAN) |
| Frame format | CAN2.0B 29 bit-ID |
| Bit rate | 250k bps or 500k bps |
| Node-ID | 128 (programmable) |
| Other function | |
| Indicator | Green-LED / Red-LED |
| General specification | |
| Voltage supply | 9 V to 32 V |
| Power consumption | 32 mA (Vin=12V, default setting) |
| Operating temperature range | -30 °C to +80 °C |
| External dimension | |
| Outer packaging | Overall metallic shield case |
| Size | 65 x 60 x 30 mm ³ (Not including projection.) |
| Weight | 115 g |
| Interface connector | CAN connector: 5-pos, M12, waterproof |
| Water-proof, Dust-proof: | IP67 equivalent |
| Regulation (Applicable only for Mass production) | |
| EU | CE marking (EN61326/RoHS Directive) Class A |
| USA | FCC part15B Class A |

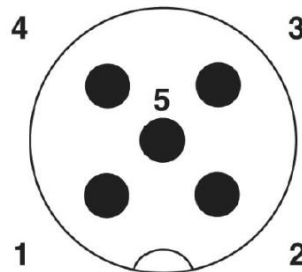
■ APPLICATIONS

- Motion and vibration measurement
- Platform stabilization
- Attitude detection for unmanned systems
- Vibration control and stabilization

Appendix1. CONNECTOR SPECIFICATIONS

Connector specification

| | |
|--------------|-----------------------------|
| Model number | SACC-DSI-MS-5CON-M12-SCO SH |
| Manufacturer | PHOENIX CONTACT |



Terminal Layout

Terminal Function

| No | Pin Name | I/O | Description |
|----|----------|-----|-------------------------------|
| 1 | CAN_SHLD | - | CAN shield (*1) |
| 2 | CAN_V+ | I | External power supply (9-32V) |
| 3 | CAN_GND | - | Ground |
| 4 | CAN_H | I/O | CAN H bus line |
| 5 | CAN_L | I/O | CAN L bus line |

Notice: This unit should be connected to a connector that satisfies at least the IP67 water and dust proof specification.

(*1) CAN_SHLD is connected to the case.

Appendix2. J1939 MESSAGE OVERVIEW

Communication Settings

| Item | Value | Note |
|--------------|---------------------|---------------------------|
| CAN bit rate | 250k bps / 500k bps | |
| CAN 29bit ID | - | CAN 11bits ID is ignored. |
| Address | 128 (0x80) | Address is programmable. |

Name Field

| Field Name (J1939) | No. of bits | Byte No. | Value | Description |
|---------------------------|-------------|----------|--------------|-----------------------------|
| Arbitrary address capable | 1 | 8 | 1 | "Arbitrary address capable" |
| Industry group | 3 | 8 | 0 | "Global" |
| Vehicle system instance | 4 | 8 | 0 | |
| Vehicle system | 7 | 7 | 0 | "Non-specific system" |
| Reserved | 1 | 7 | 0 | |
| Function | 8 | 6 | 145 (dec) | "Inertial sensor" |
| Function instance | 5 | 5 | 0 | |
| ECU instance | 3 | 5 | 1 | |
| Manufacturer code | 11 | 4,3 | 650 (dec) | "Seiko Epson Corp." |
| Identity number | 21 | 3,2,1 | xxxx | Unique number |

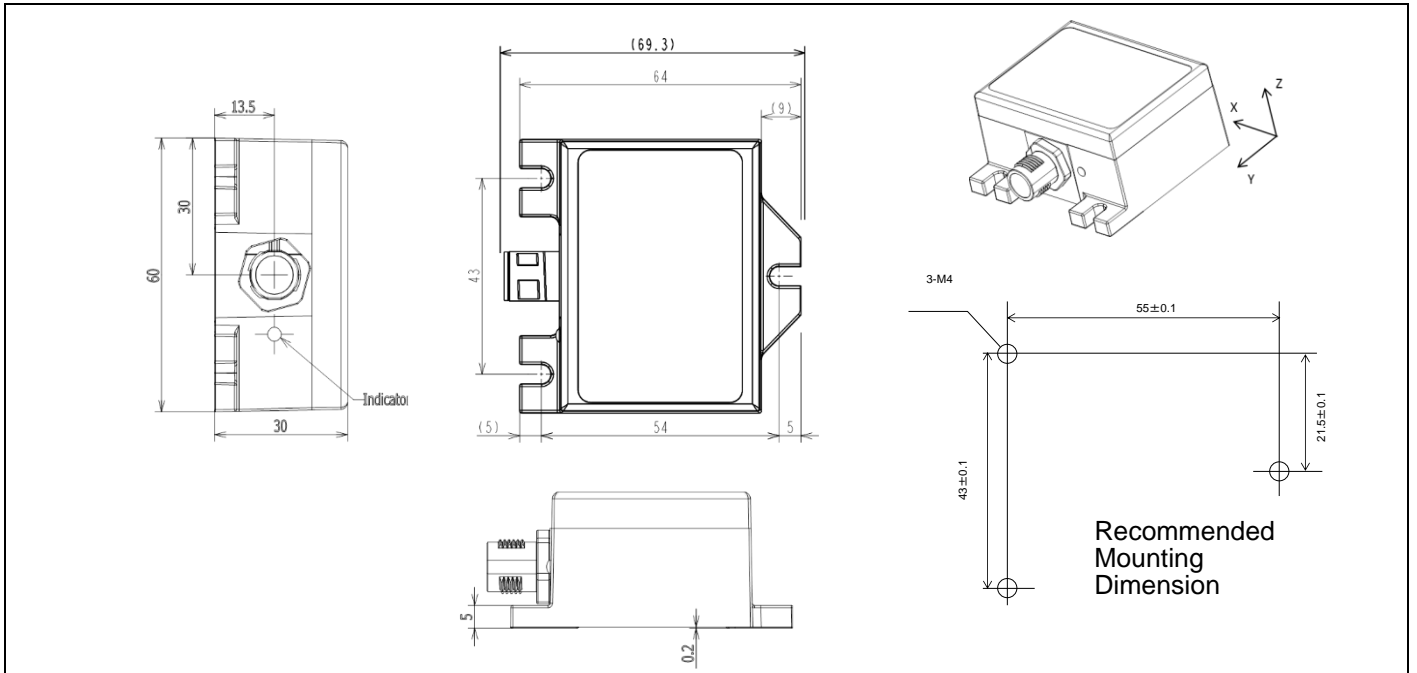
Predefined Messages

| Message Name | Direction | Priority | PGN | Description |
|-----------------|-----------|----------|------------------|--------------------------|
| Address claimed | in/out | 6 | 60928 (0x00EE00) | Claim an address to use. |

Proprietary Messages

| Message Name | Direction | Priority | PGN | Description |
|--------------|-----------|----------|------------------|---|
| Command | input | 6 | 61184 (0x00EF00) | Command to the device. |
| Response | output | 6 | 65504 (0x00FFE0) | Response for a command from the device. |
| SOUT1 | output | 6 | 65505 (0x00FFE1) | Angular rate data output |
| SOUT2 | output | 6 | 65506 (0x00FFE2) | Acceleration data output |
| SOUT4 | output | 6 | 65508 (0x00FFE4) | Temperature data output |
| SOUT5 | output | 6 | 65509 (0x00FFE5) | Time data output |

■ OUTLINE DIMENSION



Outline Dimensions (millimeters)

NOTICE:

No part of this material may be reproduced or duplicated in any form or by any means without the written permission of Seiko Epson. Seiko Epson reserves the right to make changes to this material without notice. Seiko Epson does not assume any liability of any kind arising out of any inaccuracies contained in this material or due to its application or use in any product or circuit. This product must not be used in the application and/or equipment that demands extremely high reliability and where its failure may threaten human life or property (for example, aerospace equipment, submarine repeater, nuclear power control equipment, life support equipment, medical equipment, transportation control equipment, rail vehicles, personal cars, etc.). Therefore, Seiko Epson Corporation will not be liable for any and all damages caused by using this product for those applications and/or equipment. Moreover, no license to any intellectual property rights is granted by implication or otherwise, and there is no representation or warranty that anything made in accordance with this material will be free from any patent or copyright infringement of a third party. When exporting the products or technology described in this material, you should comply with the applicable export control laws and regulations and follow the procedures required by such laws and regulations. You are requested not to use, to resell, to export and/or to otherwise dispose of the products (and any technical information furnished, if any) for the development and/or manufacture of weapon of mass destruction or for other military purposes.

All brands or product names mentioned herein are trademarks and/or registered trademarks of their respective companies.

©Seiko Epson Corporation 2021, All rights reserved

SEIKO EPSON CORPORATION

DEVICE SALES & MARKETING DEPT.

29th Floor, JR Shinjuku Miraina Tower, 4-1-6 Shinjuku, Shinjuku-ku,
Tokyo, 160-8801, Japan
Phone: +81-3-6682-4322 FAX: +81-3-6682-5016

First issue Jul, 2021 in Japan

Rev.1.1